



DRC-6

Emergency assistance and access control



The Condoplex transmitter/receiver system is the market's most comprehensive, flexible, yet, affordable solution to offering emergency assistance and access control for residents in one convenient keychain pendant. A learning method allows a particular transmitter to be received by an intended suite without triggering an alarm in the neighboring suite. In common areas, a networked receiver will accept codes from all residents for garage door access, panic and medic alert. Residents will be protected on their way to and from the parking lot, common areas of the building and within their individual suites.

Their pendant controls access to the garage, elevators and doors, while a simple press of a button on the keychain transmitter summons help, identifying the user and location. Using

Transmitters

- Customized Membrane Design
- 2 or 4 Button Styles
- High Security Encryption
- Lithium Battery Life 5-10 years
- Water Resistant Casing
- Optional Dual Technology
(Indala / Keri / HID / RfLogics / Temic Tiris Transponders supported)

Receiver

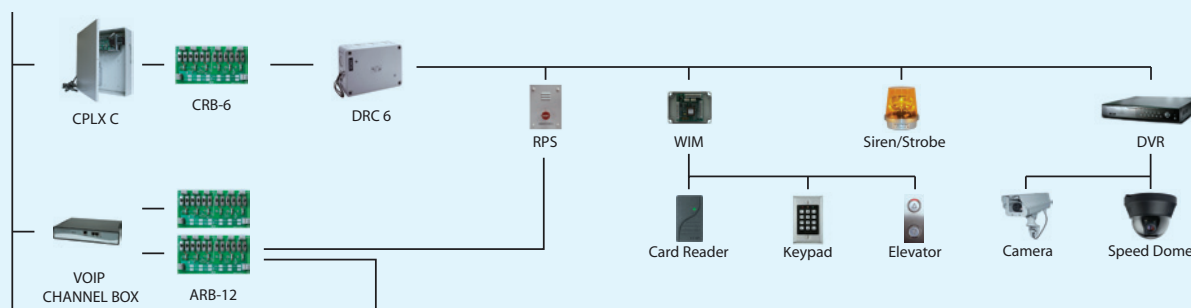
- Wiegand, RS485, and/or Stand Alone
- Customized OEM or 26 BIT Formats
- Environmental Control / Detection
- Variable Read Range 10-300 FT
- Internal Memory for Stand Alone Mode
- Certified 433 MHz Frequency

a powerful multiplexed data network to link radio receivers and remote output devices, the system can: 1/ automatically open an audio channel on the nearest RPS-1 panic station for 2-way voice communications to the distressed resident, 2/ activate local sirens and strobes, 3/ provide video locking, 4/ notify remote monitoring stations. All emergency response signals generate an alarm condition which is recorded in the server logs. Upon arriving to his suite, the resident may arm/disarm, or request emergency assistance with audio communications to the guard.

Environmental Control

The DRC receiver is capable of receiving information from various environmental sensors for temperature, humidity, water and natural gas detection. It also interfaces to automated shut-off valves to eliminate flooding in common areas and suites.

System Architecture



Features

- Interrogated: Automatically reports malfunctions / reduces inspection labour
- Failsafe Mode: Provides temporary operation during network outages
- Learning Mode: Can be taught to respond to a limited number of transmitters
- Enable Zone: Will only respond upon the presence of vehicle
- Discrimination Mode: For receivers in close proximity, prevents Rf overlap
- Multi/Single Relay: Will fire a single or different relays based on keypress
- Intelligent LED: Onboard confirmation of code reception, network communication, programming mode and zones.

Options

- Audible Piezo: Provides audible confirmation for signal received
- Battery Low Signal: Identifies to central monitoring the battery low condition
- Temperature Sensor: Provides the local temperature reading to the workstation
- Humidity Sensor: Provides the local humidity reading to the workstation

Specifications Receiver

Dimensions	9.3 cm (W) x 13 cm (H) x 5.5 cm (D) 3.66 in (W) x 5.1 in (H) x 2.16 in (D)
Shipping Weight	170g / 6 oz
Operating temp.	-0°C/-32°F to 50°C/132°F
Power Requirement	10 to 14VDC @ 35 mA 1 pair min. 18 awg
Mounting Requirement	ELP520BB (9.875 x 9.875x 3.5"):Weight 3lbs.
RF Input Signal	Standard 433.92 MHz
Communication Format	2x RS485 Ports, 1PSTN
Relay Contacts	2 Class 'C' 30V @ 2A maximum
Transient Protection	Spark gap on all terminal connections. Diode protection on power. MOV protection on data line.

Specifications Transmitter

Dimensions	5.8 cm (W) x 3.9 cm (H) x 1.4 cm (D) 2.3 in (W) x 1.5 in (H) x .55 in (D)
Shipping Weight	30 gm / 1 oz
Operating temp.	-25 to +50 degrees C
Power Requirement	Internal Lithium battery w/ Battery Low Detection
Encoding	Code Hopping 64bit encryption
Output	RF signal (433 MHz SIL AM Superhet)
Case Material	high density plastic Water resistant keypad membrane.
Typical Reading Range	30 M (100 ft) /Telescopic Ant. 100M/300ft.
Max. Number of Units	8 per suite

Features and Specifications subject to change without notice • Contact your Condoplex dealer to select features best suited for your facility and budgetary needs.