



RLC-16V2

Elevator Controller

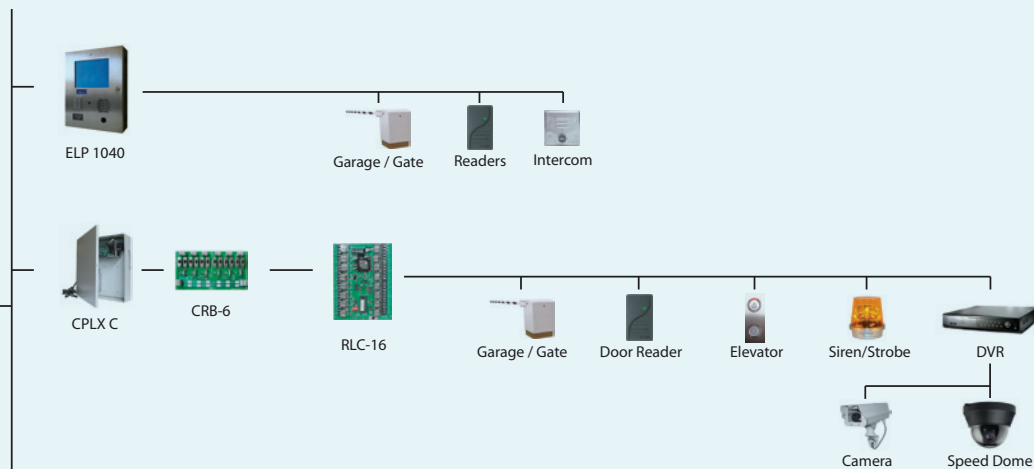


The RLC-16 unit is a highly reliable networked device capable of providing Elevator control. While many manufacturers have adopted 2 amp relays and thin layer boards, Condoplex continues its tradition of quality with 5 amp relays and thick trace heavy gauge boards. Relays are pluggable, which practically eliminates downtime and costly repairs, as a single defective relay may be changed out. Competing products would require the entire replacement of the board. The RLC-16 is able to withstand the harshest electromagnetic conditions often associated with elevator rooms and cabs. An on-board input will release all relays in the event of a fire.

- Elevator Control for multiple buildings
- Low Current Consumption
- Advanced RS485 Polling Network
- FailSafe and FailSecure Operation
- Status LED for programming and diagnostics
- 16 Outputs and one Fire Input
- Full Interrogation
- Unlimited multiplexed RLC-16's per network
- Activity logs record location and User
- Easy cancellation of Lost or stolen cards

On the network each RLC-16 is assigned an address through a dip switch and polled for security and operational messages. Programming is done via Web Browser. If the RLC-16 should lose communications with the network, or the power fail it may be programmed to operate in a variety of "fail-safe" or "fail-secure" modes. The security guard is notified immediately of any malfunction so that appropriate action may be taken. All security events are maintained a server and controller logs and forward when the network connection is restored.

System Architecture



Specifications

Dimensions	44 cm (L) x 34 cm (W) x 9 cm (D) 17" (L) x 13" (W) x 3.5" (D)
Shipping Weight	0.64Kg/1.4lb5oz
Operating Temp.	-0°C/-32°F to 50°C/132°F
Power Requirement	12VDC or 16VAC/40VA , 2 wire min 18AWG
Mounting Requirement	Metal Enclosure CB1317
Communication Format	RS485 protocol, 2-wire twisted shielded direct connection

Relay Output	16 Relays DPDT (2FormC); Rating: 5A @ 250VAC
Transient Protection	Diode protection on power MOV protection on data line. Over Current and Voltage Protection

Accessories: N/A

Ordering Information: RLC-16V2

Features and Specifications subject to change without notice • Contact your Condoplex dealer to select features best suited for your facility and budgetary needs.