



ELP 520

Visitor Entry Phone System



Ideally suited for small to medium sized residential condominiums or commercial offices, each ELP 520 Visitor/Tenant Entry Control panel is an advanced state of the art multi-functional controller designed to meet the security needs of today's Property Managers. The ELP 520 gives every facility manager the freedom and flexibility to access, manage, and control Resident and Visitor traffic throughout the building on a 24 x 7 basis, while maintaining accurate Audit records to meet most any need in emergency situations.

- Heavy duty Stainless Steel faceplate suitable for any environment
- Built-in LCD Tenant Listing Display
- 12 button robust keypad with optional CCD Camera
- Indoor or Outdoor installations
- Available modem for off-site Remote Administration
- Upload/Download Tenant Profiles and Audit records from local/remote PC
- Up to 4,000 Audit Transactions supported 'off-line'
- Master - Slave configuration to Control Multiple ELP520s
- Supports PIN Access for Emergency and other services
- Automatic 'Suite Alarm' text messaging to Tenant/Concierge
- Will Interact with After-hours automated attendants
- Full Scheduler for Access and Elevator Control
- Supports additional card readers to access public areas including garage level, parking gate etc. for keyless entry

Additionally, Property Managers can add more than one ELP 520 to the same network from other secured portals within the building(s) under a Master-Slave configuration. To further compliment the power of the ELP 520 Visitor Entry Control Panel, the System can accommodate up to 50 Suite Alarm Panels for remote alarm monitoring either at the Concierge or via Text Messaging to the Resident on his/her mobile phone (Network Mode ONLY) The software utility that comes with each ELP 520 can manage one or many buildings (either local or remote via dial up telephone connectivity). It is simple to use yet powerful and most of all, very cost effective, requiring almost no training. Designed to control not only Visitor access, the ELP 520 also can be expanded to support long or short range access control Readers to other public areas such as elevators, parking garage entrances, elevator lobbies, game room, etc, for up to 3000 codes, all with one secured Resident access key.

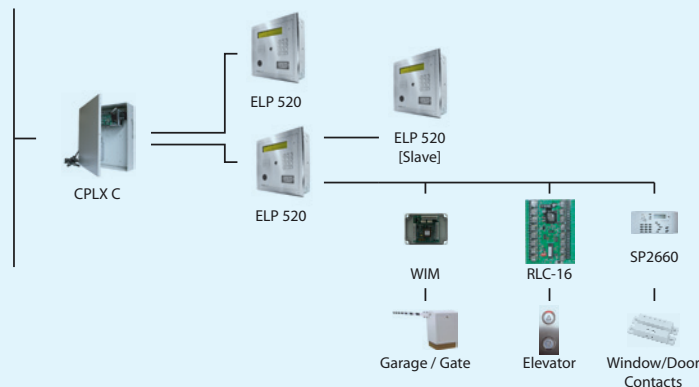
Features

- Menu System: On-board LCD menu system to provide critical field information. SFT520 'Windows' based software used for local and remote database updates.
- Full Access Control: Pre-configured for Card Readers or Long Range Rf Receivers
- Elevator Control 4 Cabs x 48 Floors
- Internal Mode: To permit remote Upload/Download of data
- Slave Support: Will support 3 slaves Entry Phones with readers (Expandable)
- User Codes: Up to 3000 User Codes
- Time Schedule: Provides for time groups and holiday schedule

Optional

- Internal Card Reader: Standard 26 bit or Condplex Bit Formats supported
- Internal Camera: Accommodation provided - Dealer supplied
- Postal Keylock: Knock-out for pre-wired Postal key lock
- Outdoor Hood: Stainless steel surface mounted hood
- Privacy Handset: For quiet Lobbies or Guard phone use
- Extended Keypad: For Guard phone applications
- USB to RS485 Converter: Enables 'on-site' updates

System Architecture



Specifications

Dimensions	26.9875 cm (W) x 26.9875 cm (H) x 8.89 cm (D) 10.625 in (W) x 10.625 in (H) x 3.5 in (D)	Relay Output	2x 3 amp form "C"
Shipping Weight	EP520 5 lbs/2.72kg./ Backbox 3 lbs./1.36kg.	Loop Type	N/C 1k Supervised
Operating Temp.	-20 to +50 degrees C	Audio Input (2660a)	600 Tel or 150 ohms impedance, 1 pair 22 AWG twisted Shielded
Power Requirement	12 VDC @ 135mA, reverse protected, 2 wire min. 18 AWG	Display	3 status LED's, LCD display
Mounting Requirement	ELP520BB (9.875 x 9.875x 3.5"):Weight 3lbs.	Slave Devices	WIM/WIMRf/RLC16/ELP520
Communication Format	2x RS485 Ports, 1PSTN	RfID Devices	Tx1/Tx2 Transmitters, Indala, Rflogics.

Features and Specifications subject to change without notice • Contact your Condplex dealer to select features best suited for your facility and budgetary needs.